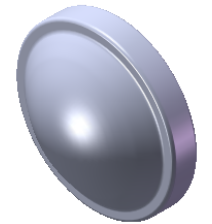


ASPHERIC COEFFICIENTS

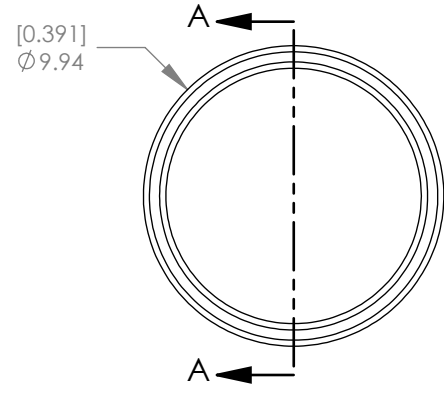
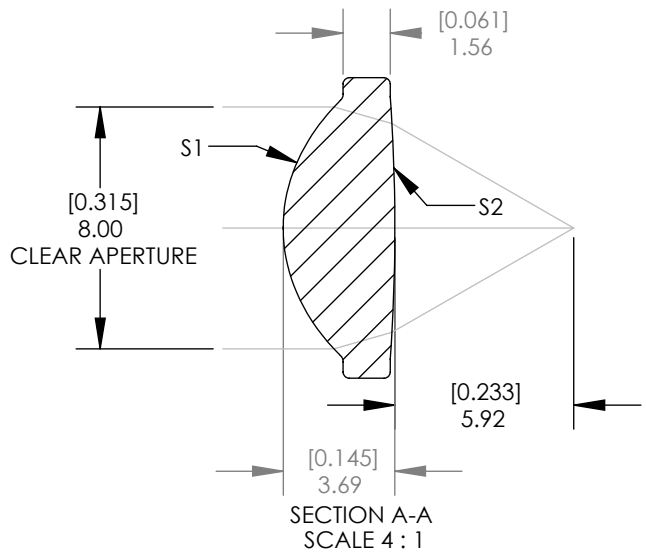
	R	k	A <sub>2</sub>	A <sub>4</sub>	A <sub>6</sub>	A <sub>8</sub>	A <sub>10</sub>
S1	5.07	-0.4755395	-	-	-4.2737234E-06	2.9311207E-07	-1.3379192E-08
S2	-61.17	-	-	4.2977700E-04	-1.0625227E-05	-	-

$$z = \frac{Y^2}{R(1 + \sqrt{1 - (1+k)Y^2/R^2})} + A_2Y^2 + A_4Y^4 + A_6Y^6 + A_8Y^8 + A_{10}Y^{10}$$

ASPHERIC LENS EQUATION



ISOMETRIC VIEW



SPECIFICATIONS:

- DESIGN WAVELENGTH: 780nm
- EFFECTIVE FOCAL LENGTH: 8.00mm
- EFL TOLERANCE: ±1%
- NUMERICAL APERTURE: 0.50
- WORKING DISTANCE: 5.92mm
- DIAMETER TOLERANCE: ±0.015mm
- CENTER THICKNESS TOLERANCE: ±0.04mm
- SURFACE QUALITY: 40-20 SCRATCH-DIG (INCLUDES ENTIRE BULK MATERIAL)
- RMS WFE: ≤ DIFFRACTION LIMITED
- MAGNIFICATION: INFINITE
- REFRACTIVE INDEX (AT DESIGN WAVELENGTH): 1.597
- INDEX TOLERANCE: ±0.002
- COATING(S1&S2): BBAR Ravg<0.5% FROM 400-600nm

[in]  
ALL DIMENSIONS ARE IN mm  
THIS DRAWING IS FOR INFORMATION ONLY  
NOT INTENDED FOR MANUFACTURING

**THORLABS INC.** PO BOX 366  
NEWTON NJ

	NAME	DATE
DRAWN	SFG	11/18/2009
ENG APPR.	DJ	12/05/2009
MFG APPR.	DD	12/17/2009

TITLE: -A COATED ASPHERIC  
COLLIMATING LENS EFL=8.00mm

MATERIAL: ECO-550 SIZE A REV. B

SCALE: 4:1 SHEET 1 OF 1

DWG. NO. 13703-E01 PART NO. 352240-A

**PROPRIETARY AND CONFIDENTIAL**  
THE INFORMATION CONTAINED IN THIS DRAWING IS THE SOLE PROPERTY OF THORLABS, INC. ANY REPRODUCTION IN PART OR AS A WHOLE WITHOUT THE WRITTEN PERMISSION OF THORLABS, INC. IS PROHIBITED.